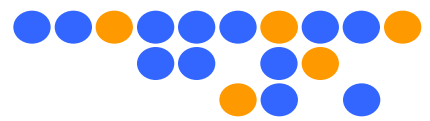


2.4mm End Launch Connector Data Sheet



■ Part No. : G01SFB001

(2.4mm End Launch Jack)

Technical Data

Electrical Data	Impedance	50 Ω
	Max. Frequency	50 GHz
Mechanical Data	Force to Engage/Disengage	2.0 inch-pounds max.
	Durability	500 mating cycles
	Recommended Mating Torque	8 inch-pounds
Environmental Data	Operating Temp.	-50 °C ~135 °C
	RoHS	Compliant

Material Data		Material	Surface Plating
	Center Contact	BeCu	Gold Plating on Ni
	Body (con)	Stainless Steel	Passivated
	Body (block)	Brass	Ni Plating
	Insulator (con)	ULTEM	
	Insulator (block)	PTFE	
	Screw	Stainless Steel	Passivated

Part Number

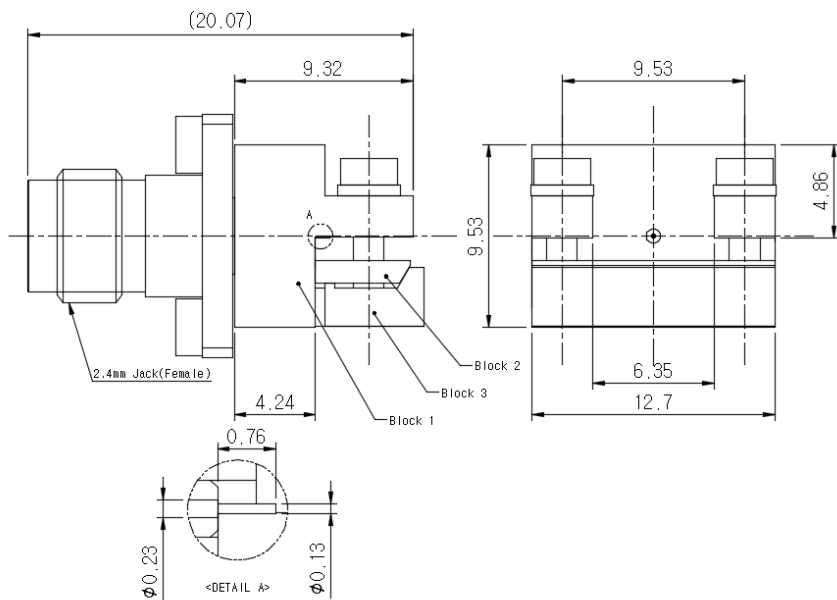
Part No.

G01SFB001

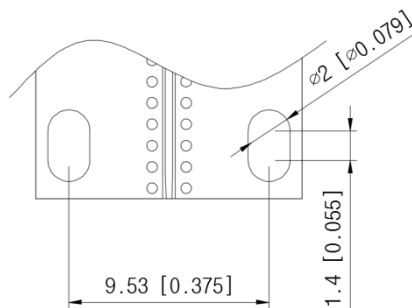
2.4mm End Launch Connector Data Sheet



Outline Drawing



Recommended PCB Pattern



Unit : mm

User's Guide

