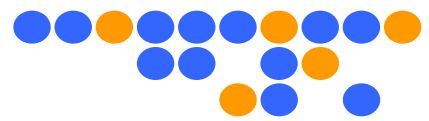


GigaLane Adapter Data Sheet



Part No. : 2FS-ADP-SMS-01

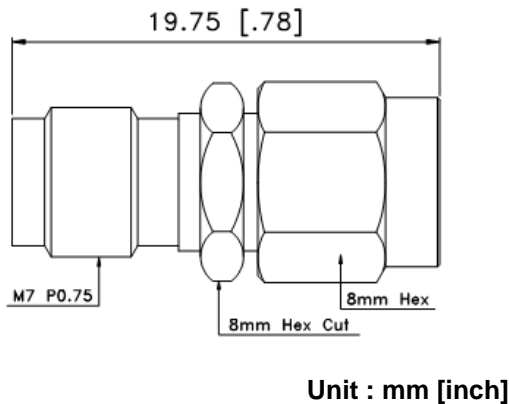
(2.4mm Female to SMA Male Adapter)



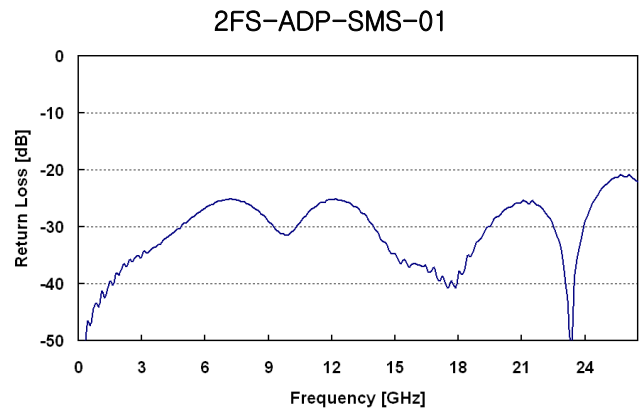
Technical Data

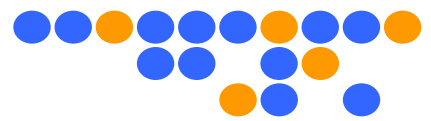
ITEM	Specifications		Descriptions
VSWR	DC~4GHz	1.05 MAX	
	4~26.5GHz	1.20 MAX	
Insertion Loss	IL [dB] = Max. 0.06 X √F		
Materials	Body	Stainless Steel 303	Passivated
	Center Pin	2.4mm : BeCu SMA : Brass	Gold Plated
	Insulator	PTFE	
	Captivation	Low Loss Resin	
Temperature	-40℃ ~ 125℃		

Outline Drawing



Performance





Pin Control

Per IEEE standard 287

