

SMP Connector PFR01

www.gigalane.com



GigaLane SMP Connectors offer you precise mating and excellent VSWR performance through 40 GHz with competitive price. They have excellent vibration and shock performance based on MIL standard and suitable for application such as military, broadband, instrumentation and telecommunication application.

► Specification

Electrical

Frequency	DC ~ 18 GHz DC ~ 40 GHz
Impedance	50 Ω
VSWR	1.2 : 1 to 18 GHz 1.3 : 1 to 40 GHz
Insulation Resistance	Min 5000 MΩ
Dielectric Withstand Voltage	500 Vrms (@ sea level) 125 Vrms (@ 70,000ft)
Contact Resistance - Outer Conductor - Inner Conductor	2mm Ω max 6mm Ω max
Insertion Loss	0.1 * √ f(GHz)
RF Leakage	-70 dB @ 3 GHz

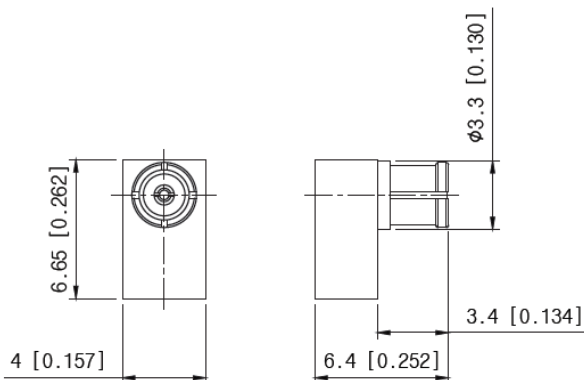
Environmental

Temperature	- 40℃ to + 125℃
Thermal Shock	MIL-STD-202, Method 107, Condition B
Corrosion (Salt Spray)	MIL-STD-202, Method 101, Condition B, 5% salt
Shock	MIL-STD-202, Method 213, Condition I
Vibration	MIL-STD-202, Method 204, Condition D
Moisture Resistance	MIL-STD-202, Method 106

Materials

Body	Stainless Steel (Passivated) Beryllium Copper (Gold Plated) Brass (Gold Plated)
Center Contact	Beryllium Copper (Gold Plated) Brass (Gold Plated)
Insulator	Engineering Plastic

► Drawing



Cable
SR085
SF085