

SMA Connector AMR01, AMR02

www.gigalane.com



GigaLane SMA(Sub Miniature A) connectors are widely used in the frequency range DC to 18 GHz with low loss characteristics. SMA connectors are mostly used in military, microwave frequencies and telecommunication application.

► Specification

Electrical

| | |
|--|--|
| Frequency | DC ~ 18 GHz |
| Impedance | 50 Ω |
| VSWR | 1.2 : 1 (@ 6 GHz) 1.3 : 1 (@ 18GHz) |
| Insulation Resistance | 5000 MΩ |
| Dielectric Withstand Voltage | 1000 Vrms Max |
| Contact Resistance - Outer Conductor - Inner Conductor | 2mm Ω max 3mm Ω max |
| RF Leakage | -90 dB |
| Power Handling | 70W (@2 GHz) |

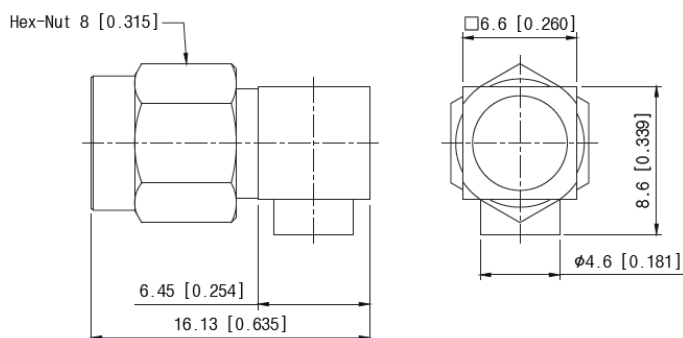
Environmental

| | |
|------------------------|---|
| Temperature | - 40°C to + 125°C |
| Thermal Shock | MIL-STD-202, Method 107, Condition B |
| Corrosion (salt Spray) | MIL-STD-202, Method 101, Condition B, 5% salt |
| Shock | MIL-STD-202, Method 213, Condition I |
| Vibration | MIL-STD-202, Method 204, Condition D |
| Moisture Resistance | MIL-STD-202, Method 106 |

Materials

| | |
|----------------|---------------------|
| Body | Brass (Gold Plated) |
| Center Contact | Brass (Gold Plated) |
| Insulator | PTFE |

► Drawing



Unit : mm [inch]

| Cable | Part No. |
|-------|----------|
| 085 | AMR01 |
| 141 | AMR02 |