

# SMA Connector

## AFS14, AFS15, AFS16

www.gigalane.com



GigaLane SMA(Sub Miniature A) connectors are widely used in the frequency range DC to 18 GHz with low loss characteristics. SMA connectors are mostly used in military, microwave frequencies and telecommunication application.

### ► Specification

#### Electrical

Frequency	DC ~ 18 GHz
Impedance	50 Ω
VSWR	1.2 : 1 (@ 6 GHz) 1.3 : 1 (@ 18GHz)
Insulation Resistance	5000 MΩ
Dielectric Withstand Voltage	1000 Vrms Max
Contact Resistance - Outer Conductor - Inner Conductor	2mm Ω max 3mm Ω max
RF Leakage	-90 dB
Power Handling	70W (@2 GHz)

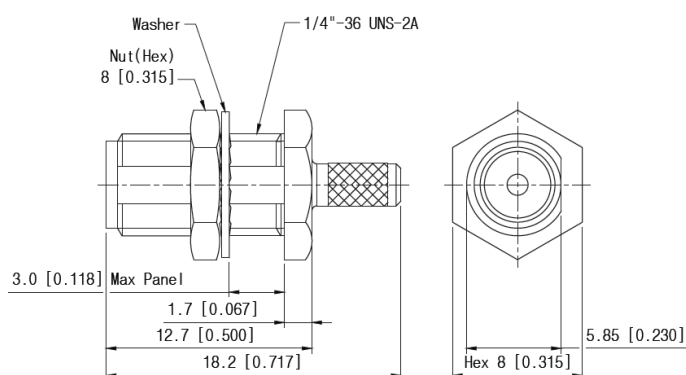
#### Environmental

Temperature	- 40℃ to + 125℃
Thermal Shock	MIL-STD-202, Method 107, Condition B
Corrosion (salt Spray)	MIL-STD-202, Method 101, Condition B, 5% salt
Shock	MIL-STD-202, Method 213, Condition I
Vibration	MIL-STD-202, Method 204, Condition D
Moisture Resistance	MIL-STD-202, Method 106

#### Materials

Body	Brass (Gold Plated)
Center Contact	Brass (Gold Plated)
Insulator	PTFE

### ► Drawing



Unit : mm [inch]

Cable	Part No.
RG316	AFS14
RG178	AFS15
RG400	AFS16