

BMA Connector G05RFC001

www.gigalane.com



GigaLane BMA Connectors offer you precise mating and excellent VSWR performance through 18 GHz. They are designed based on MIL standard and are ideally suited for communication base station equipment, rack-and-panel applications with appropriate float-mounted jacks, building block systems such as radar.

► Specification

Electrical

Frequency	DC to 18 GHz
Impedance	50 Ω
VSWR	1.3 : 1 typical
Insulation Resistance	5000 MΩ
Dielectric Withstand Voltage	1000 Vrms Max
Contact Resistance - Outer Conductor - Inner Conductor	2mm Ω max 3mm Ω max
Insertion Loss	0.3 dB max (@ 18 GHz)
RF Leakage	-90 dB @ 18GHz

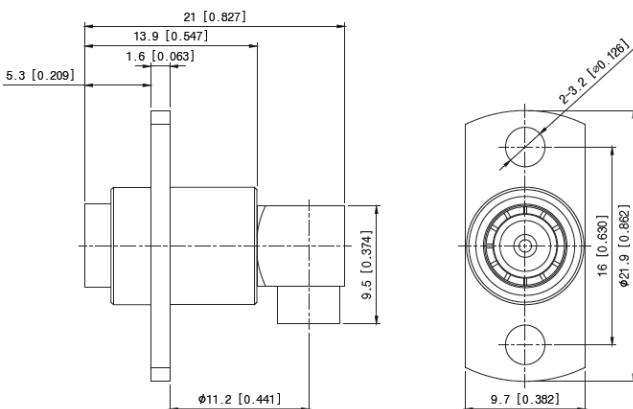
Environmental

Temperature	- 40°C to + 125°C
Thermal Shock	MIL-STD-202, Method 107, Condition B
Corrosion (salt Spray)	MIL-STD-202, Method 101, Condition B, 5% salt
Shock	MIL-STD-202, Method 213, Condition I
Vibration	MIL-STD-202, Method 204, Condition D
Moisture Resistance	MIL-STD-202, Method 106

Materials

Body	Beryllium Copper (Passivated) Brass (Gold Plated)
Center Contact	Beryllium Copper (Gold Plated) Brass (Gold Plated)
Insulator	PTFE

► Drawing



Cable

SR141

SF141